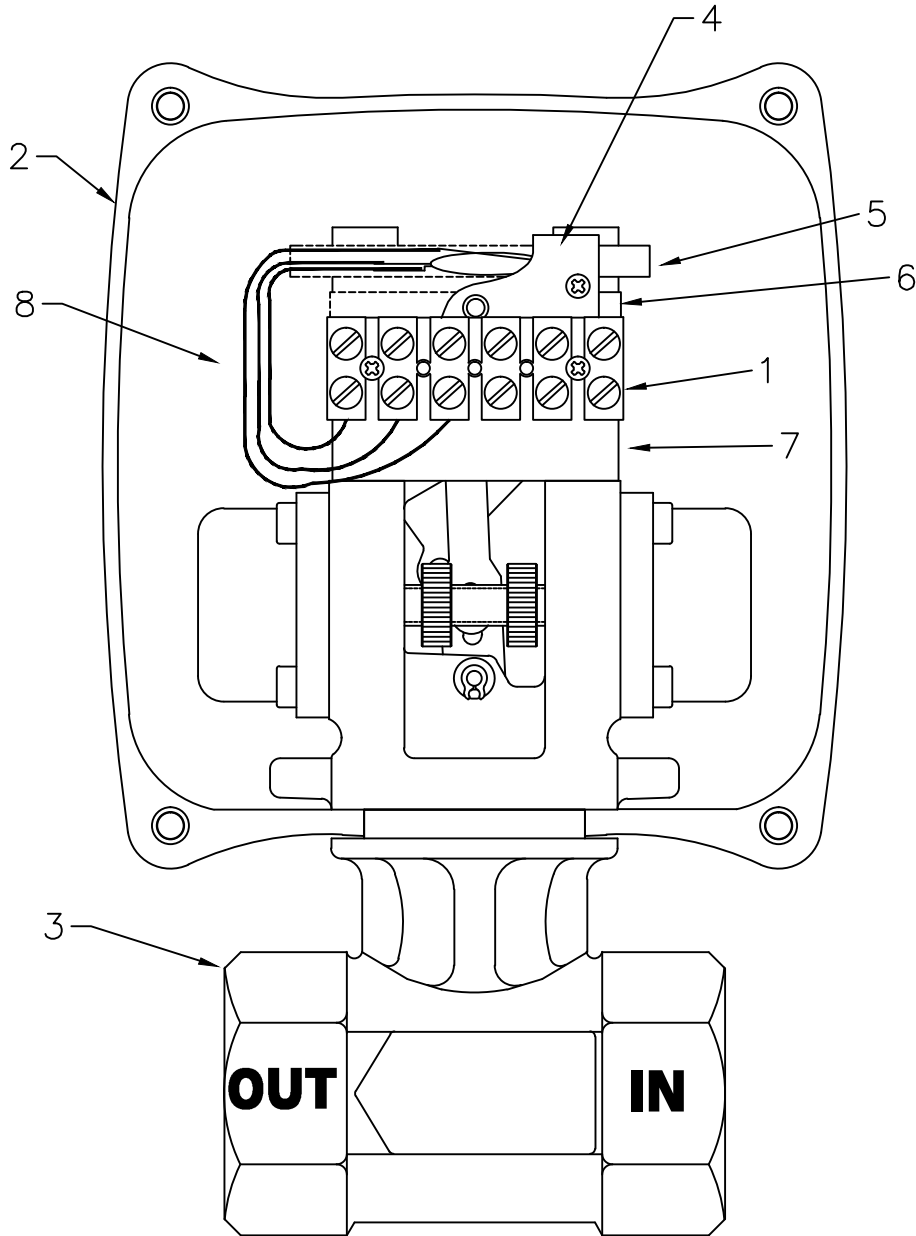


LTR	DATE	BY	CHECK	REVISIONS
A	7/19/05			INITIAL DESIGN
B	8/08/13			TYPO 1S2 WAS 1S1

BACK



Tel: 201-419-6111
 Fax: 201-419-6109
 sales@nciflow.com
 www.nciflow.com

ITEM	DWG. NO.	DESCRIPTION OF MATERIALS	QTY.
8		22 GAUGE WIRE	1
7	5312	REEDSWITCH BRACKET	1
6		PLACE HOLDER	1
5	6304	REEDSWITCH ASSY	1
4	6609	C CLAMP	1
3		BODY	1
2	6130	HOUSING (ABS)	1
1	6004	TERMINAL BLOCK	1

UNLESS OTHERWISE SPECIFIED:
 DIMENSIONS ARE IN INCHES
 TOLERANCES
 FRACTIONS: ± _____
 .X ± _____
 .XX ± _____
 .XXX ± _____
 ANGLES: ± _____
 SURFACE FINISH: _____
 DRAWN BY _____ DATE 04/15/02
 CHECKED BY _____

RCM Industries, Inc. 110 MASON CIRCLE
 CONCORD, CA. 94520

**SERIES 7000 FLOWMETER
 1S2 REEDSWITCH ASSY**

SCALE 1.5:1 SIZE C DWG NO. 6911 PAGE OF REV B

