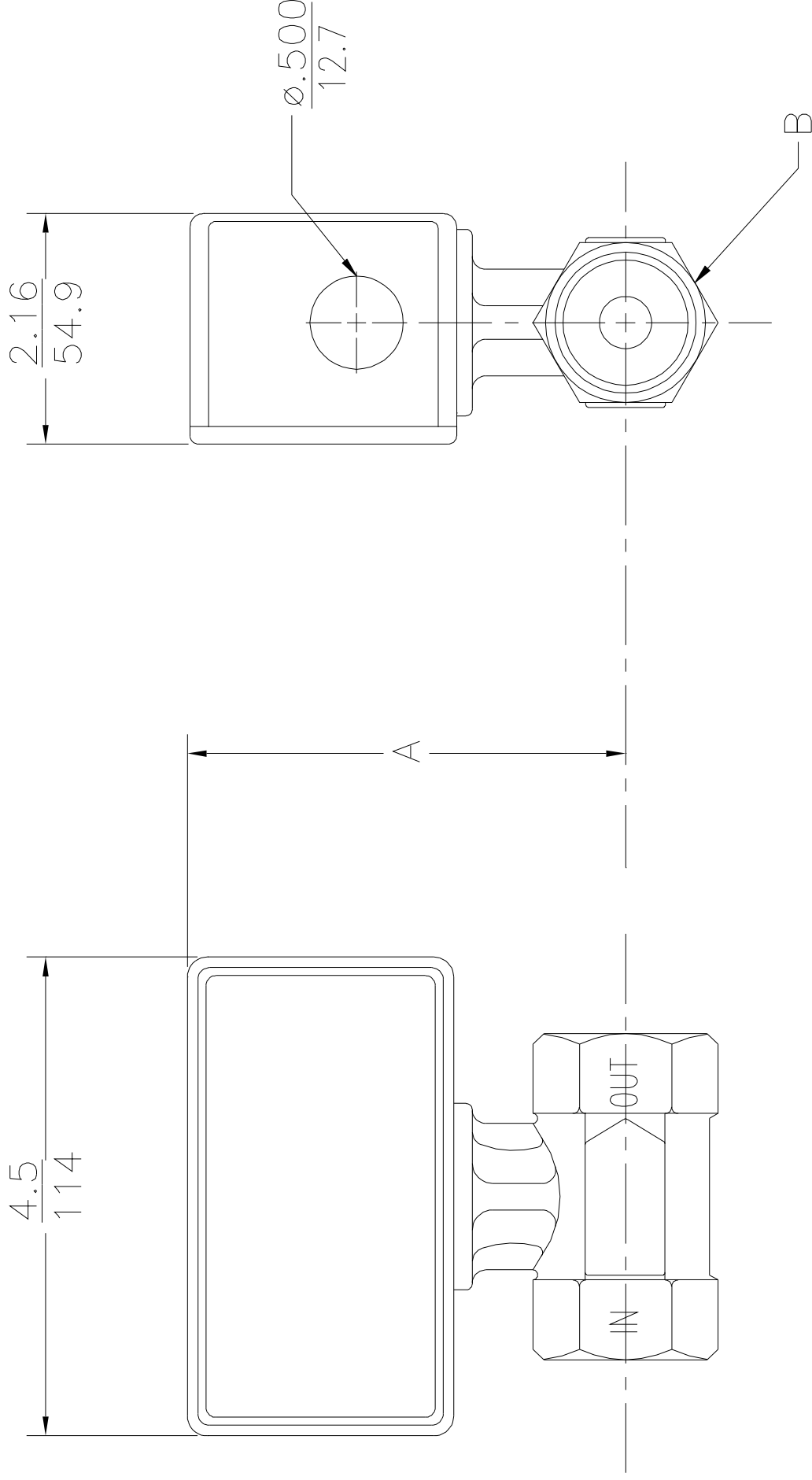


LTR	DATE	BY	CHECK	REVISIONS
A	5/14/98			INITIAL DESIGN
B	2/9/99			Changed Dimension D to B, Deleted C & D
C	1/29/03			CHANGED 1/4" & 1/2" TO HEX
D	01/24/07			CHANGED BOX NO DRAFT



SERIES 7000 BRONZE

PIPE SIZE	DIMENSION				
	A		B		
in	mm	in	mm	in	mm
0.25	08	3.95	100	1.25	32
0.5	15	3.95	100	1.25	32
0.75	20	3.95	100	1.25	32
1.0	25	4.07	103	1.50	38
1.5	40	4.39	112	2.12	54
2.0	50	4.80	122	2.75	70
3.0	80	5.48	139	4.00	102

hex
hex
hex
hex
hex
hex
hex

SERIES 7000 SST

PIPE SIZE	DIMENSION				
	A		B		
in	mm	in	mm	in	mm
0.25	08	3.20	81	1.06	27
0.5	15	3.20	81	1.06	27
0.75	20	3.95	100	1.25	32
1.0	25	4.07	103	1.50	38
1.5	40	4.39	112	2.12	54
2.0	50	4.80	122	2.75	70
3.0	80	5.48	139	4.00	102

sq
sq
rnd
rnd
rnd
rnd
rnd

NOTES:
1. DIMENSION FORMAT IS $\frac{\text{in}}{\text{mm}}$

ITEM	DWG. NO.	DESCRIPTION OF MATERIALS	QTY.
UNLESS OTHERWISE SPECIFIED: DIMENSIONS ARE IN INCHES TOLERANCES			
FRACTIONS:	E		
.X	E		
.XX	E		
.XXX	E		
ANGLES:	E		
SURFACE FINISH:	E		
DRAWN BY	S		
DATE	5/14/98		
RCM Industries, Inc.		110 MASON CIRCLE	
		CONCORD, CA. 94520	
SERIES 7000 FLOWMETER			
BLIND TRANSMITTER			
ASSEMBLY			
CHECKED BY		SCALE 1:1	SIZE C
BY		DWG NO.	6511
		REV	D