

Installation and Startup Instructions

Option R2 and R3 with KT-1 and KT-3

1.

Install the body in the piping system according to the Installation, Operation and Maintenance Manual (M1).

2.

2.1 ABS Housing Installation

Remove the back cover plate screws. Mount the housing assembly to the wall, panel or bracket using #6 screws in from the front through the back cover plate and into the wall. (These screws and other hardware are NOT INCLUDED).

Caution: Do not over tighten the mounting screws, damage may result.

3.

3.1 Piping Installation

Connect the housing assembly and body with ¼" tubing or piping suitable for the process condition. Accessory kits provide suitable fittings (KT-1 Brass or KT-3 316 SST). *Tubing not included.*

Close ball valve at the flow meter body. Open the equalizing valve. Pressurize the system by establishing flow. Open the ball valve and check for leaks. Purge the air from the system until steady flow is attained (1-2 minutes). Close the equalizing valve to complete the installation.

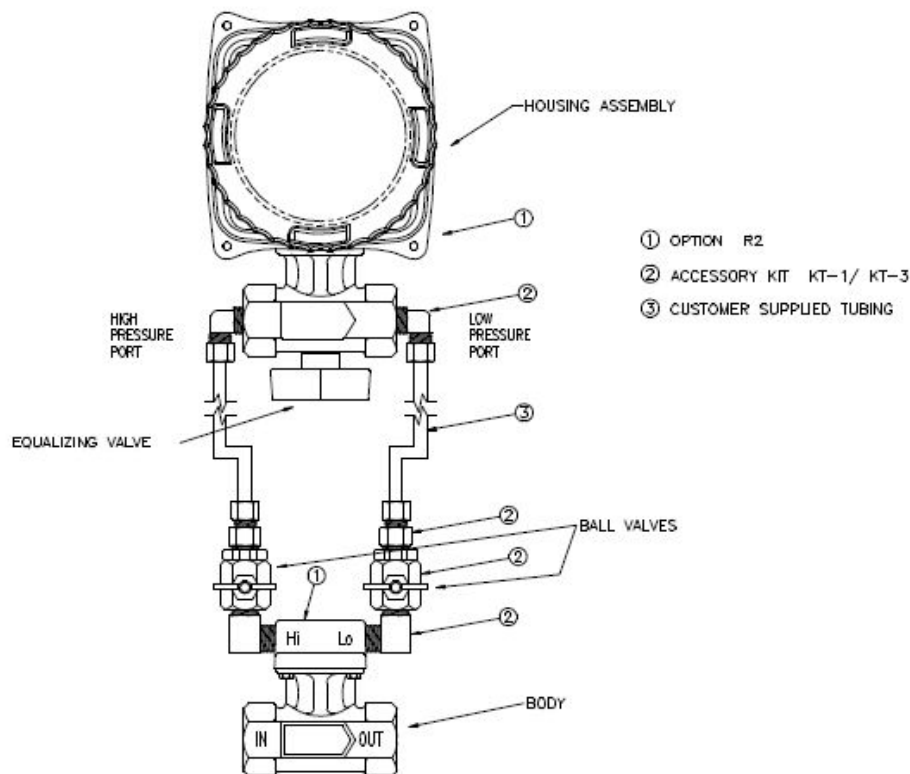


Figure 1
Remote Mount ABS Housing

4.

4.1 Aluminum Housing Installation

Remove the back cover plate screws. Mount the housing assembly to a bracket or panel using #8-32X3/8 Pan HD screws. (These screws and other hardware are NOT INCLUDED).

Installing the aluminum housing may require an additional custom fabricated bracket to mount to a wall or rigid surface.

Caution: Do not over tighten screws as damage may result.

Be sure to check proper connection before startup with respect to high and low pressure ports, reversing the connection may result in damage to the indicator assembly.

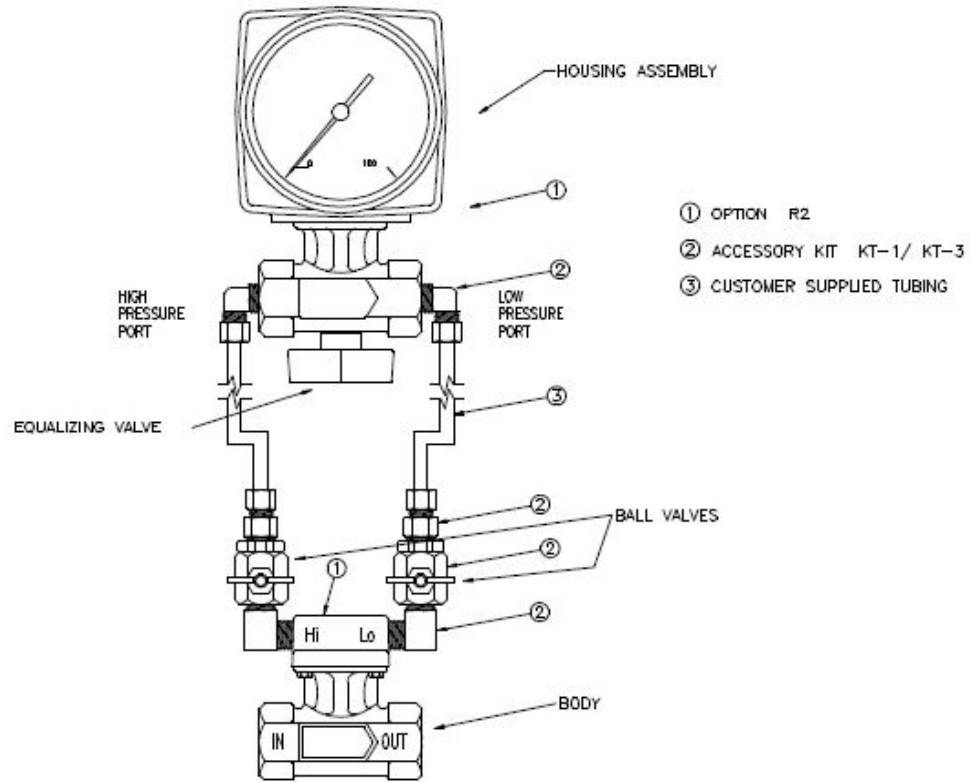


Figure 2
Remote Mount Aluminum Housing