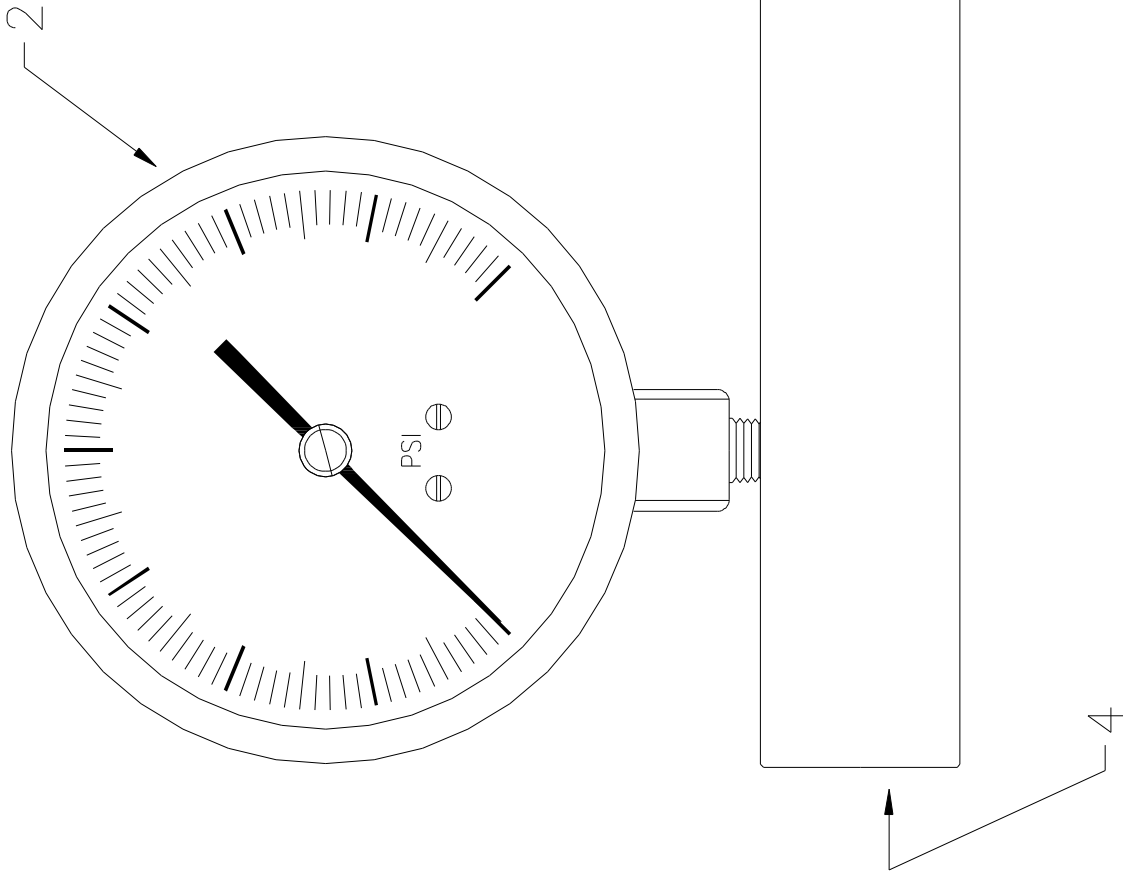


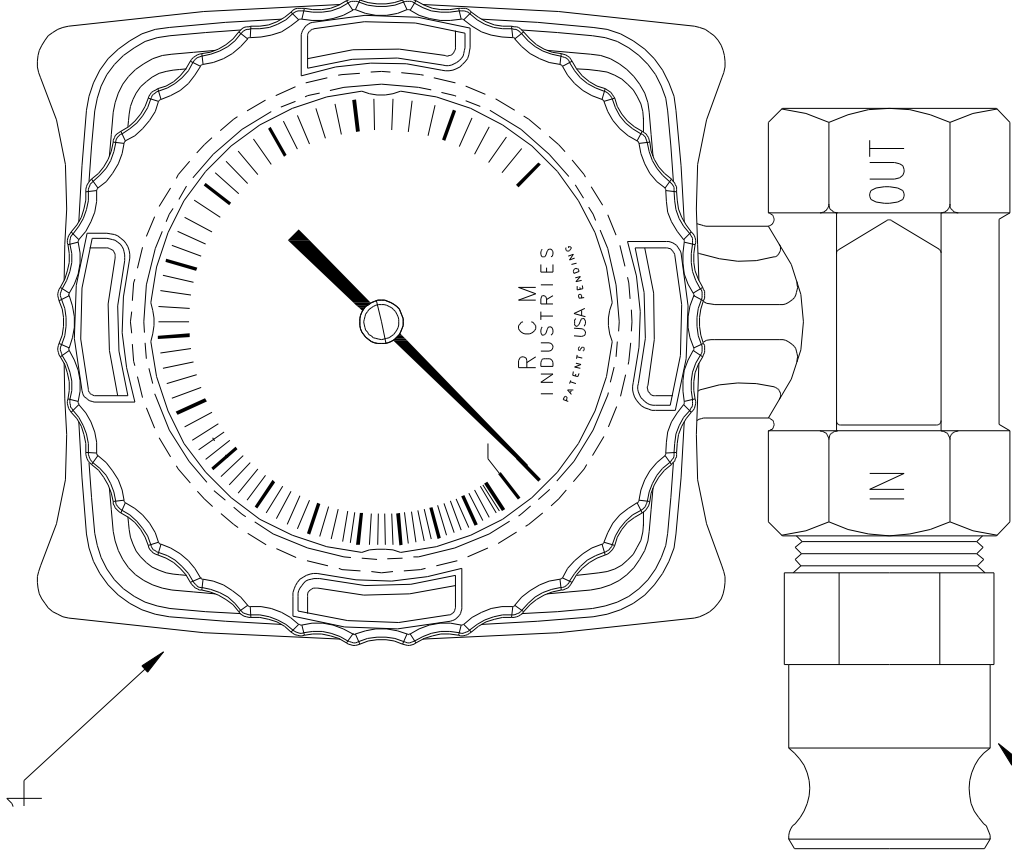
Serving Industry Worldwide



Tel: 201-419-6111
Fax: 201-419-6109
sales@nciflow.com
www.nciflow.com



- 1. FLO-GAGE
- 2. PRESSURE GAUGE
- 3. ORIFICE INSERT
- 4. INLET MANIFOLD
- 5. QUICK DISCONNECT



LTR	DATE	BY	CHECK	REVISIONS
B	6/16/99	DC		INITIAL DESIGN
	5/11/00	DC		REMOVE RCM LOGO

ITEM	DWG. NO.	QTY.
	6061 ALUMINUM	
UNLESS OTHERWISE SPECIFIED: DIMENSIONS ARE IN INCHES TOLERANCES:		
FRACTIONS:	E	
X	E	
.XX	E	
.XXX	E	
ANGLES:	E	
SURFACE FINISH:	S	
DRAWN BY	DATE	
	6/8/99	
CHECKED BY	SCALE	1:1
	SIZE	C
	DWG NO.	6566
	REV	B

RCM Industries, Inc. 110 MASON CIRCLE
CONCORD, CA. 94520

**SERIES 7000 FLOWMETER
COMPRESSED AIR SURVEY
KIT ASSEMBLY**