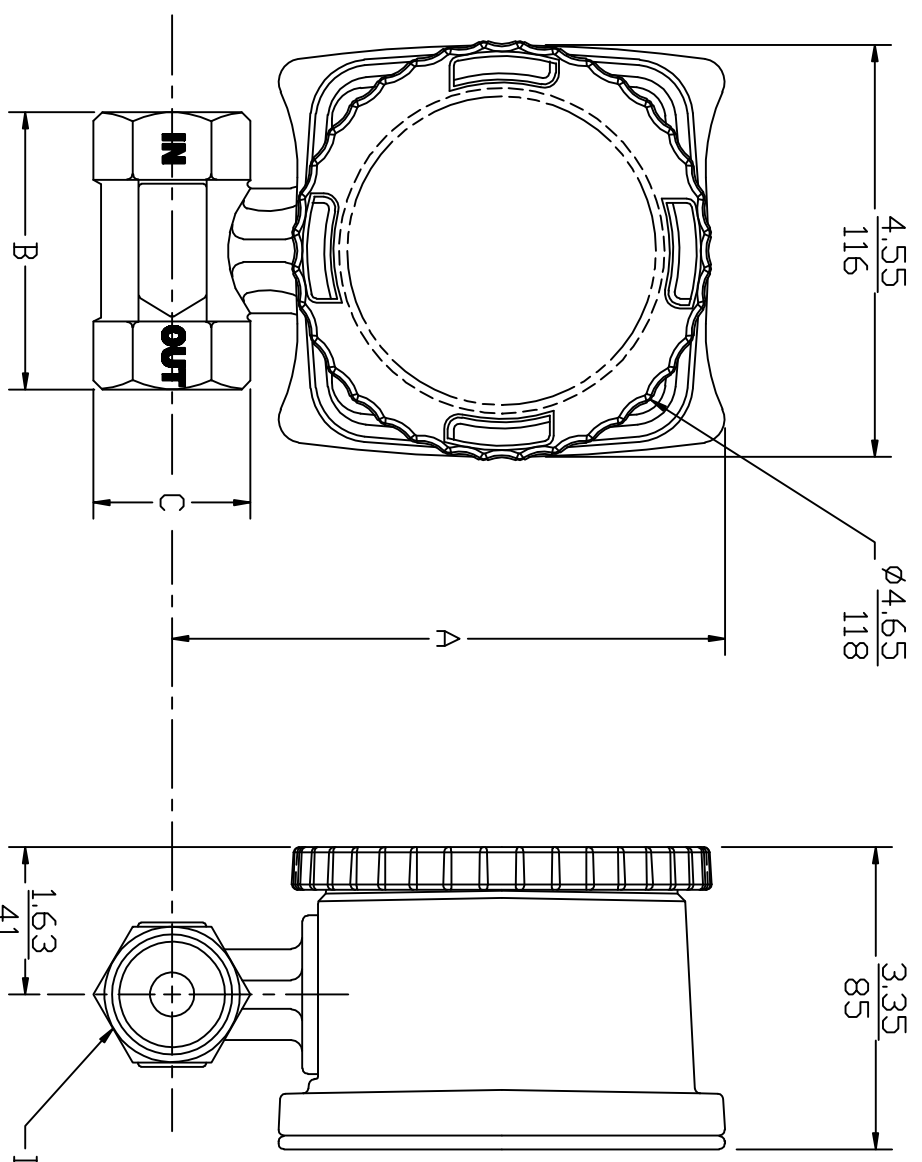


LT#	DATE	BY	CHECK	REVISIONS
A	4/11/00			INITIAL DESIGN
B	5/14/00			CHANGED 1/4" & 1/2" TO HEX BODY
C	5/14/00			CHANGED B DIMENSION FOR SST
D	6/11/00			CHANGED A,C,D DIMENSION FOR SST



Tel: 201-419-6111
 Fax: 201-419-6109
 sales@nciflow.com
 www.nciflow.com

NOTES:
 1. DIMENSION FORMAT IS $\frac{\text{in}}{\text{mm}}$



SERIES 7000 BRNZ & MONEL

PIPE SIZE	DIMENSION								
	A		B		C		D		
in	mm	in	mm	in	mm	in	mm	in	mm
0.25	08	5.95	151	3.06	78	1.50	38	1.25	32
0.5	15	5.95	151	3.06	78	1.50	38	1.25	32
0.75	20	5.95	151	3.06	78	1.50	38	1.25	32
1.0	25	6.07	154	3.06	78	1.75	44	1.50	38
1.5	40	6.39	162	3.06	78	2.50	64	2.12	54
2.0	50	6.80	172	3.19	81	3.19	81	2.75	70
3.0	80	7.48	190	4.19	106	4.62	117	4.00	102

SERIES 7000 SST

PIPE SIZE	DIMENSION								
	A		B		C		D		
in	mm	in	mm	in	mm	in	mm	in	mm
0.25	08	5.20	132	3.06	78	1.06	27	1.06	27
0.5	15	5.20	132	3.06	78	1.06	27	1.06	27
0.75	20	5.92	150	2.70	69	1.50	38	1.50	38
1.0	25	5.94	151	2.77	70	1.75	44	1.75	44
1.5	40	6.39	162	3.27	83	2.38	60	2.38	60
2.0	50	6.80	172	3.27	83	3.0	76	3.0	76
3.0	80	7.48	190	4.36	111	4.62	117	4.00	102

ITEM	DWG. NO.	DESCRIPTION OF MATERIALS	QTY.
UNLESS OTHERWISE SPECIFIED: DIMENSIONS ARE IN INCHES TOLERANCES: ±			
REACTIONS: ±			
X XX			
XXX			
ANGLES: ±			
SURFACE FINISH: ±			
DRAWN BY	DATE	SERIES 7000 FLOWMETER HOUSING-BODY ASSEMBLY	
CHECKED BY	8/11/00	SCALE 1:1	SIZE C DWG NO. 6391
FCM Industries, Inc. 110 MASON CIRCLE CONCORD, CA. 94520			REV D