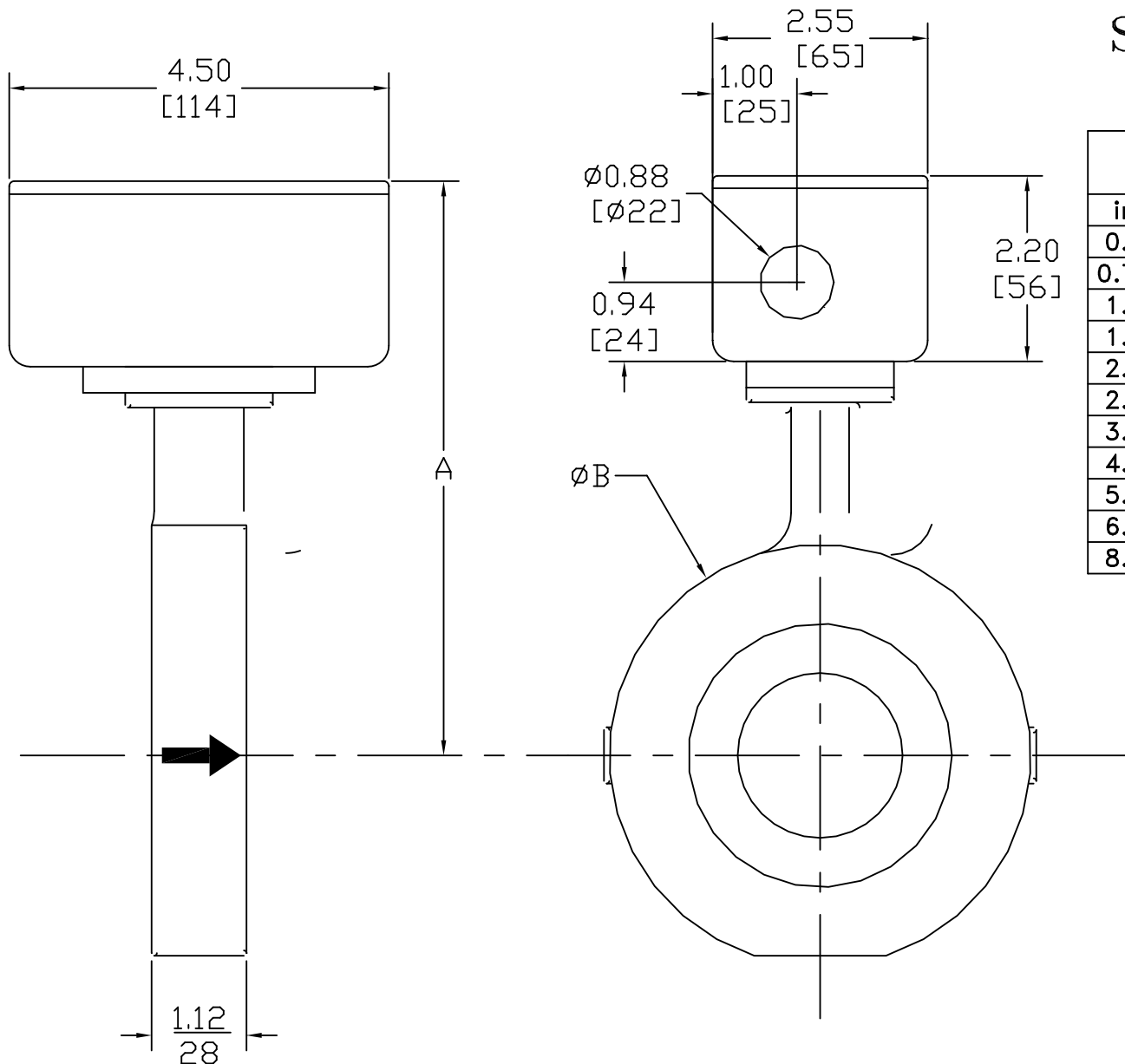


Serving Industry Worldwide



Tel: 201-419-6111
 Fax: 201-419-6109
 sales@nciflow.com
 www.nciflow.com

LTR	DATE	BY	CHECK	REVISIONS
A	8/24/01			INITIAL DESIGN
B	1/23/07			CHANGED TO SQUARE HOUSING
C	8/14/10			ADDED SST DIMENSIONS
D	8/23/12			ADD W3 TO DESCRIPTION



SERIES 2000 & W3

DIMENSION

PIPE SIZE		BRONZE & MONEL		SST			
in	mm	A	B	B	B		
0.5	15	4.6	117	1.69	43	1.62	41
0.75	20	5.04	128	2.00	51	2.00	51
1.0	25	5.23	133	2.38	60	2.38	60
1.5	40	5.79	147	3.12	79	3.00	76
2.0	50	5.98	152	3.75	95	3.75	95
2.5	65	6.48	165	4.25	108	4.25	108
3.0	80	6.85	174	5.00	127	5.00	127
4.0	100	7.92	201	6.13	156	6.00	152
5.0	125	8.32	211	7.38	187	7.00	178
6.0	150	9.04	230	8.38	213	8.00	203
8.0	200	10.29	261	10.38	264	10.00	254

NOTES:

1. DIMENSION FORMAT IS $\frac{\text{in}}{\text{mm}}$

ITEM	DWG. NO.	DESCRIPTION OF MATERIALS	QTY.
UNLESS OTHERWISE SPECIFIED: DIMENSIONS ARE IN INCHES TOLERANCES FRACTIONS: ± _____ .X ± _____ .XX ± _____ .XXX ± _____ ANGLES: ± _____ SURFACE FINISH: _____			
DRAWN BY _____ DATE 9/24/01		RCM Industries, Inc. 110 MASON CIRCLE CONCORD, CA. 94520 SERIES 2000 & W3 FLOWSWITCH HOUSING-BODY ASSEMBLY	
CHECKED BY _____	SCALE 1:1	SIZE C	DWG NO. 6642 REV D